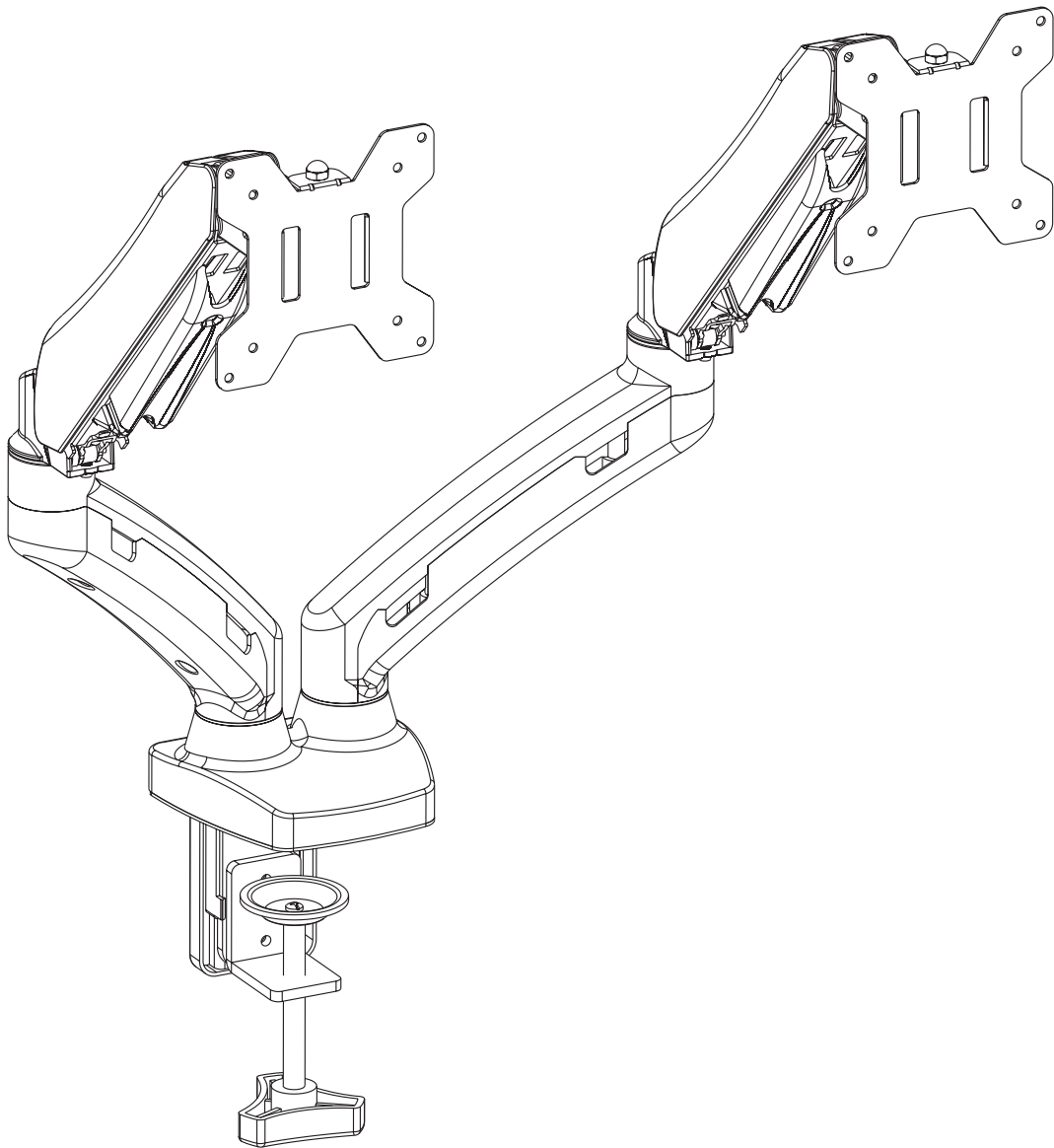
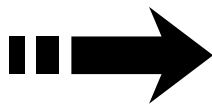
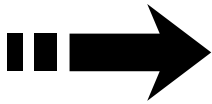


# ALZARE DUO

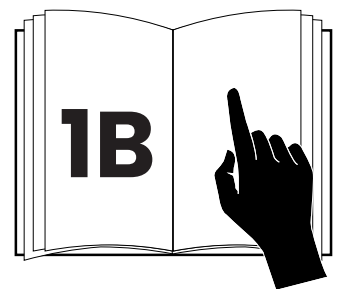
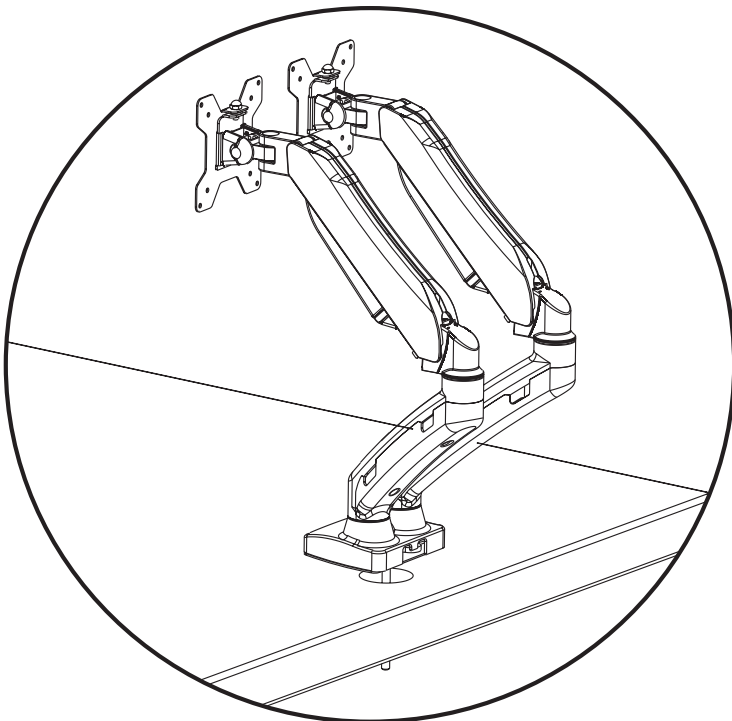
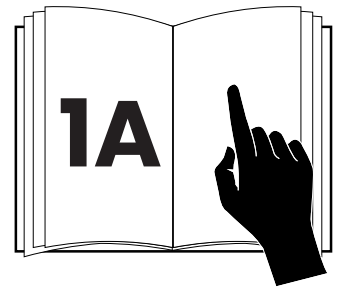
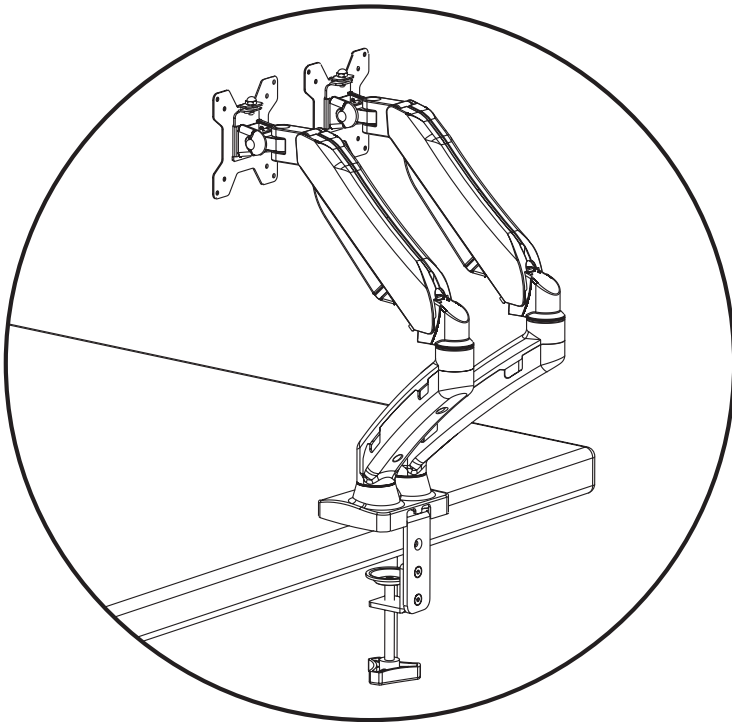


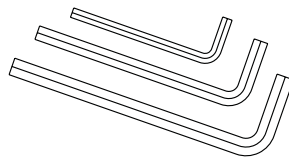
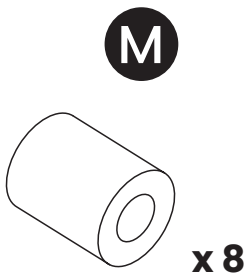
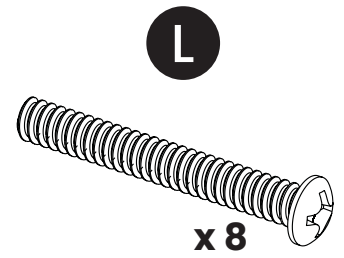
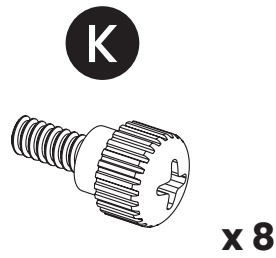
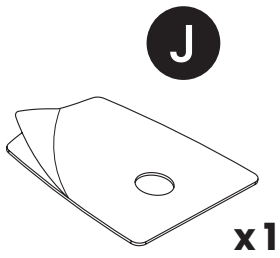
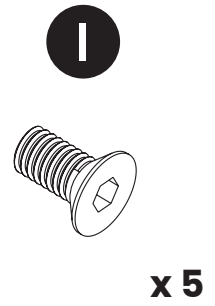
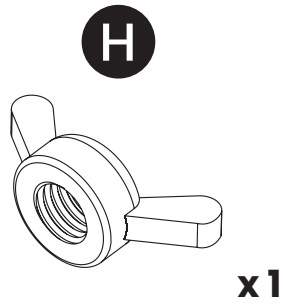
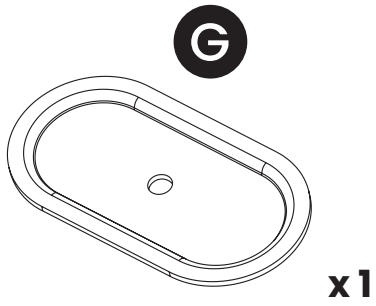
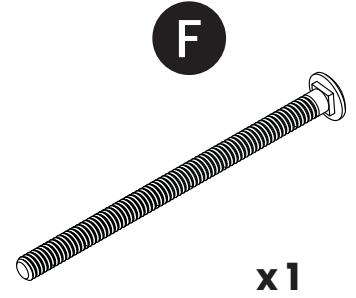
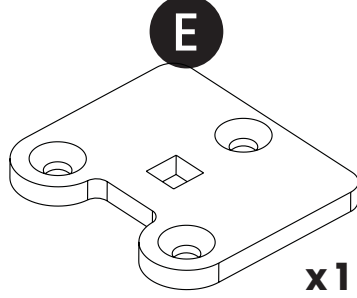
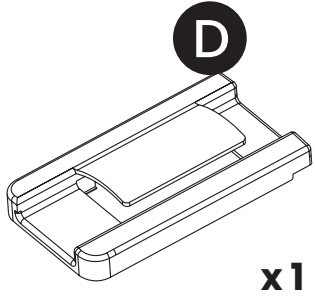
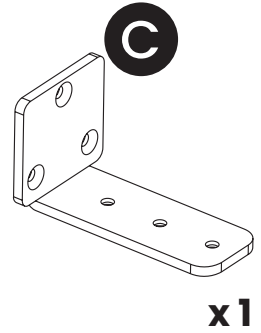
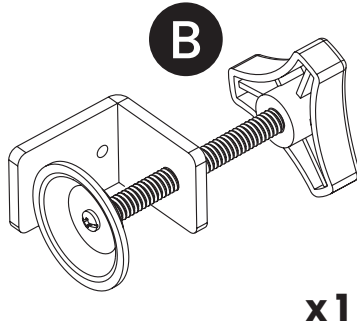
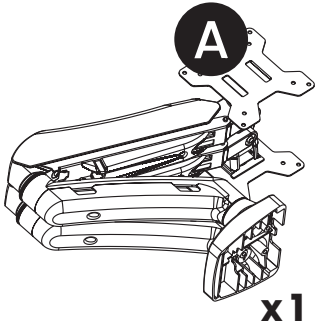


**[youtube.com/@ArozziSupport](https://youtube.com/@ArozziSupport)**



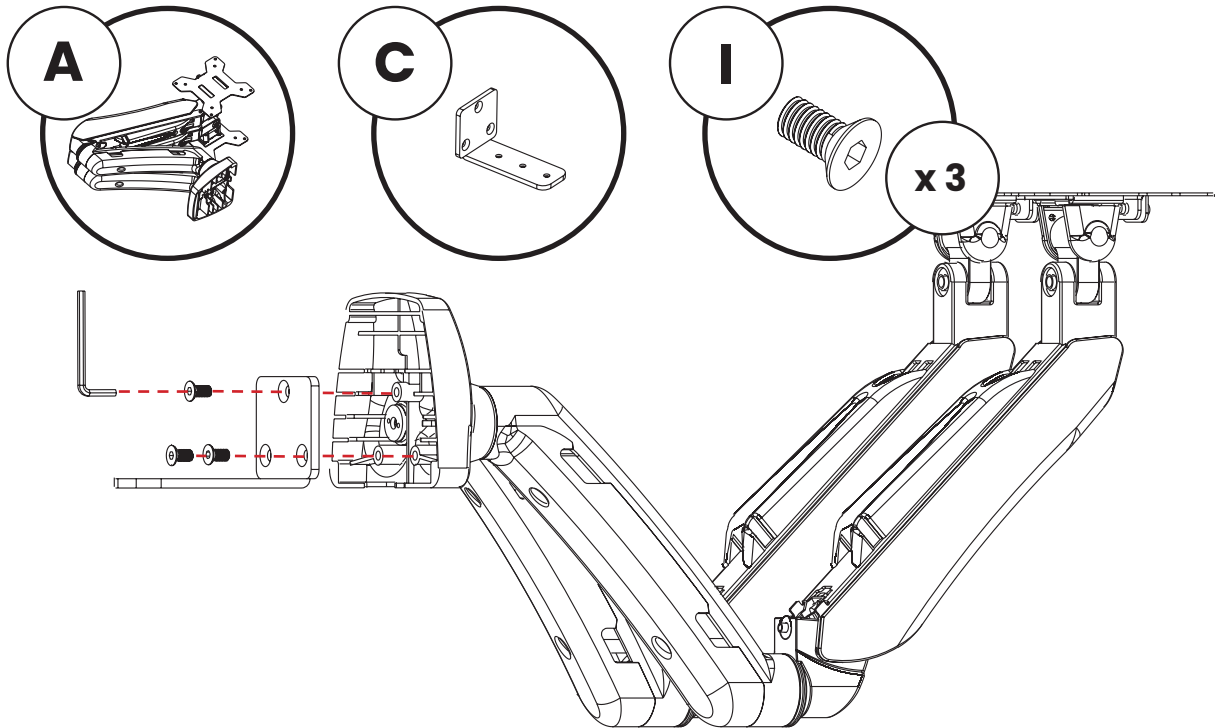
**EU: [arozzi.se/support/](https://arozzi.se/support/)**  
**US: [arozzi.com/support/](https://arozzi.com/support/)**  
**Elsewhere: [arozzi.se/support/](https://arozzi.se/support/)**



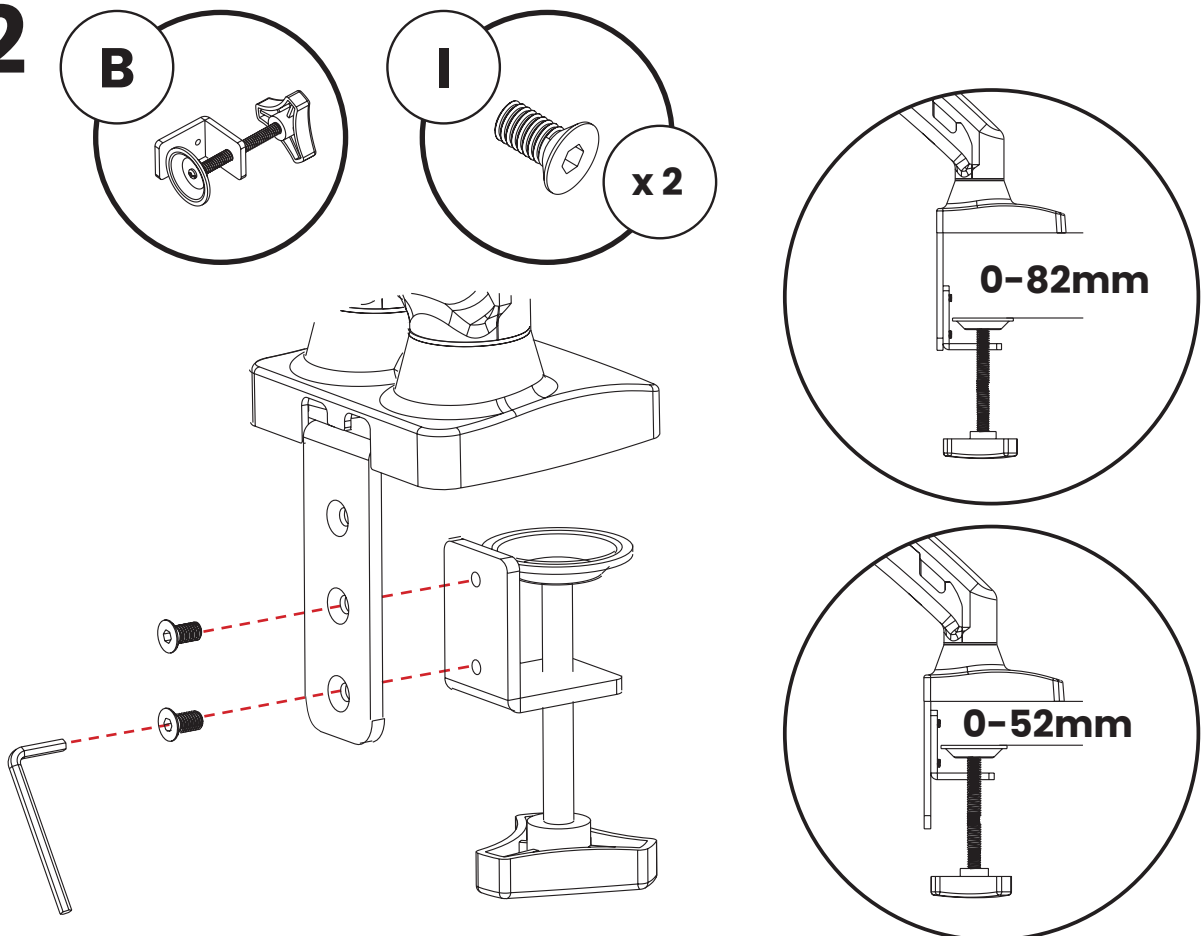


# 1A

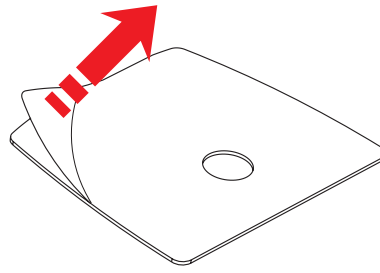
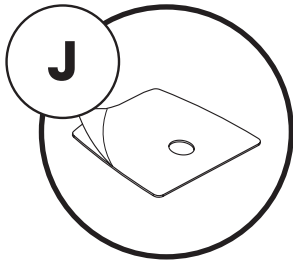
## 1.1



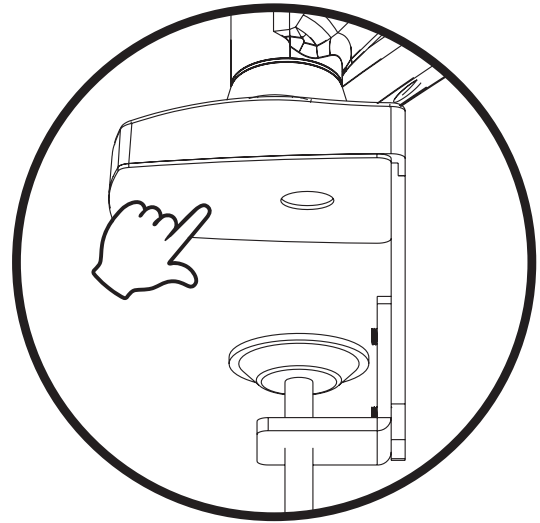
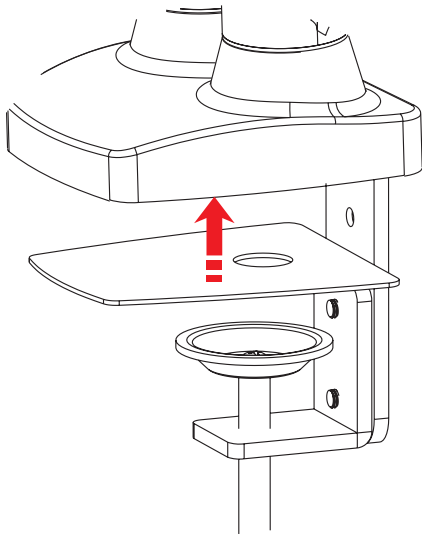
## 1.2



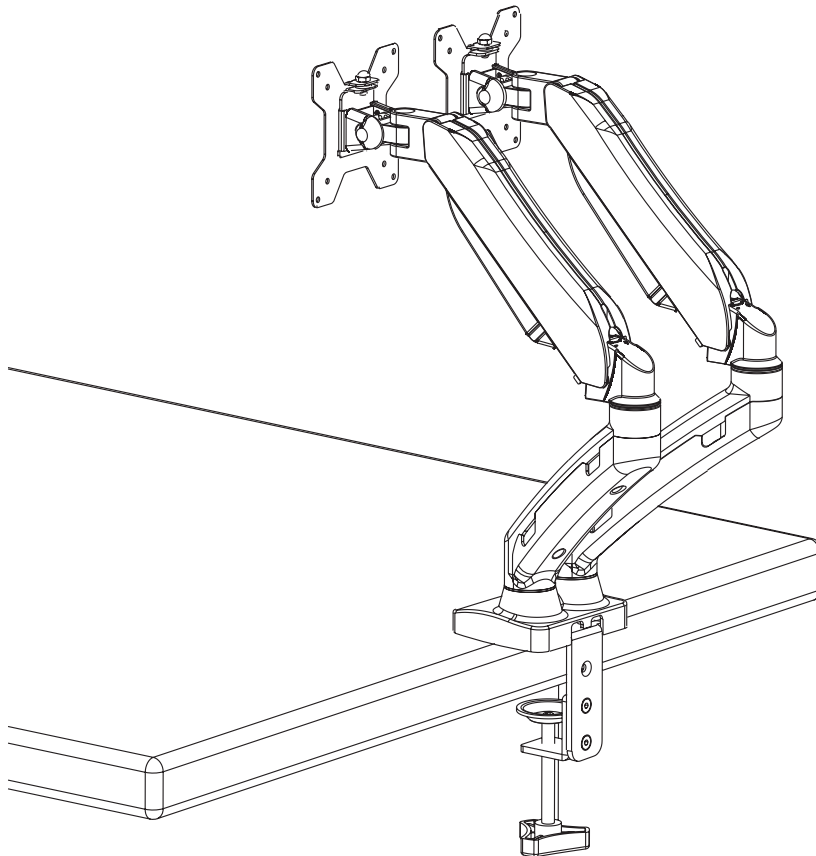
# 1.3



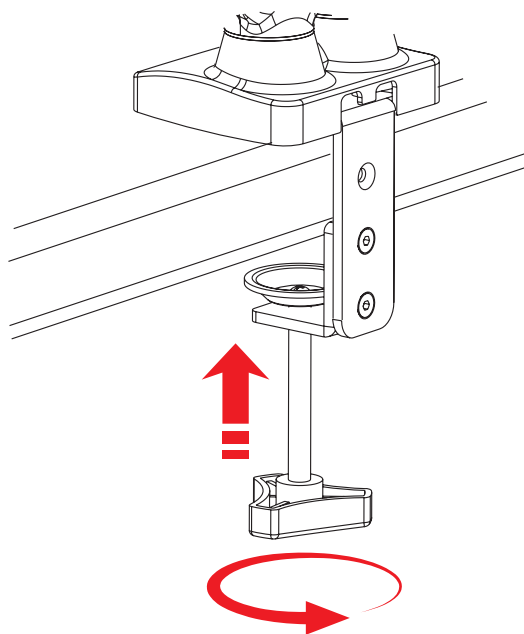
# 1.4



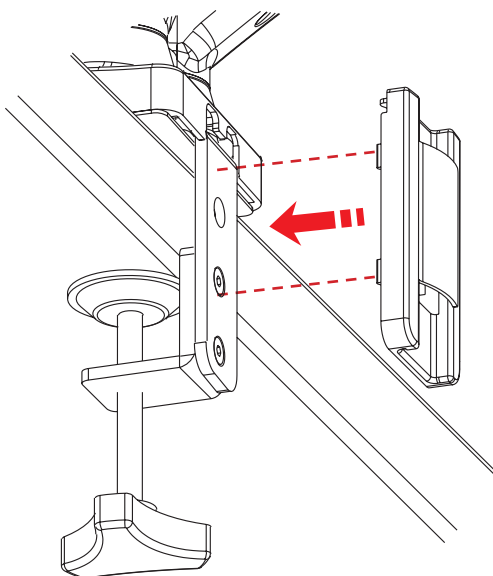
# 1.5



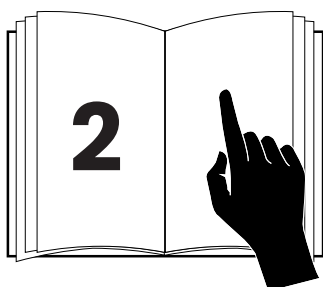
# 1.6



# 1.7

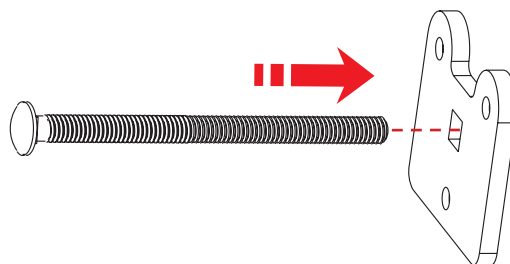
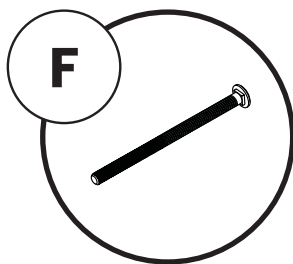
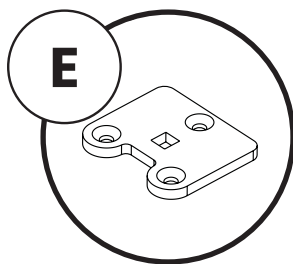


# 1.8

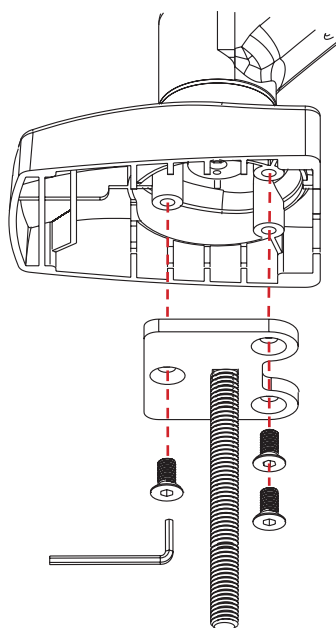
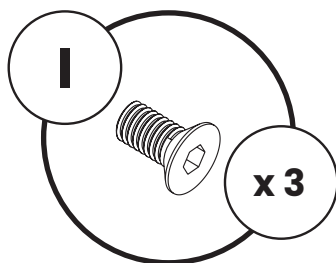


# 1B

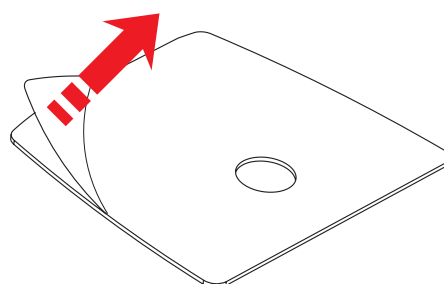
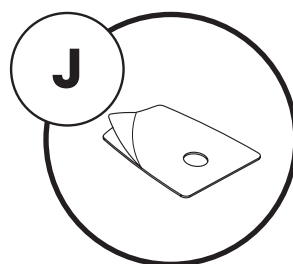
1.1



1.2

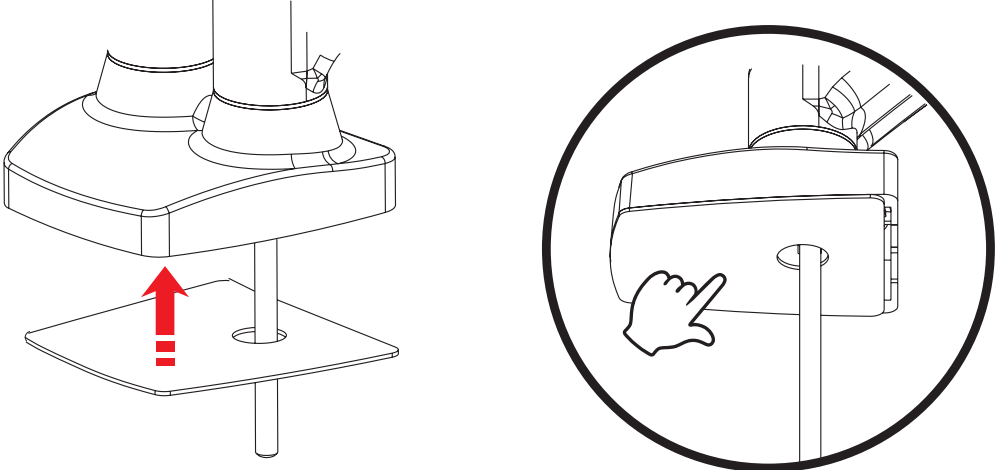


1.3

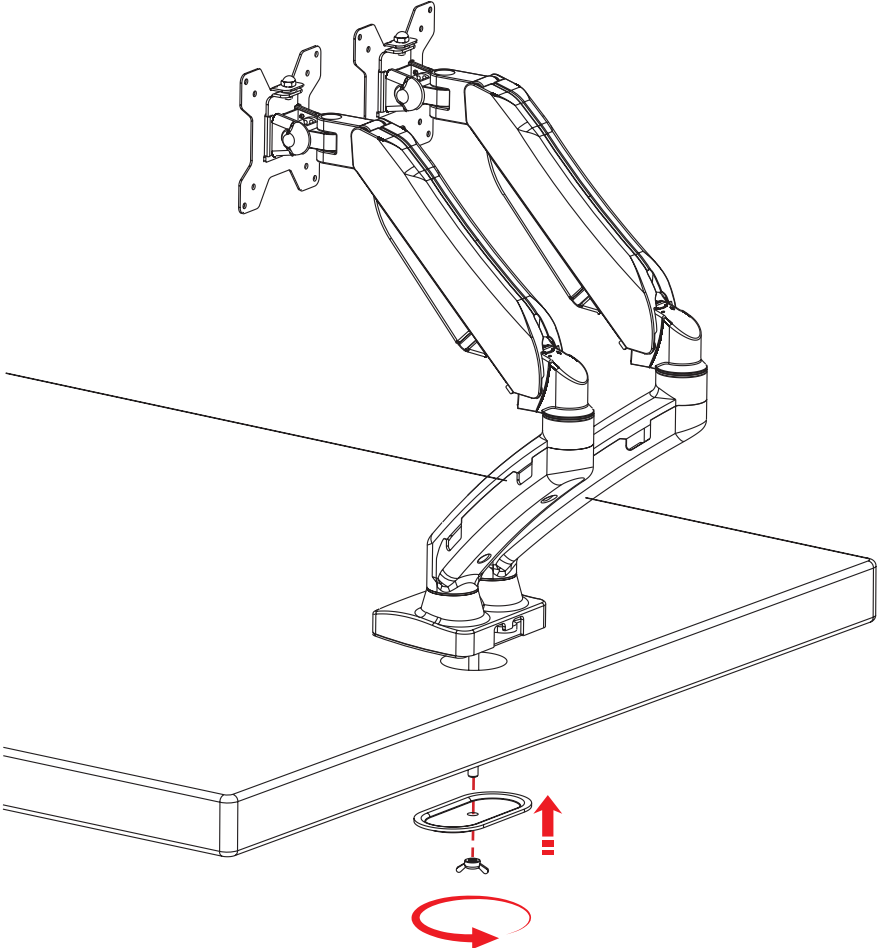




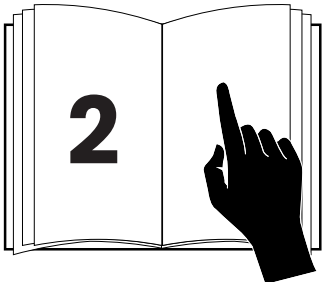
# 1.4



# 1.5

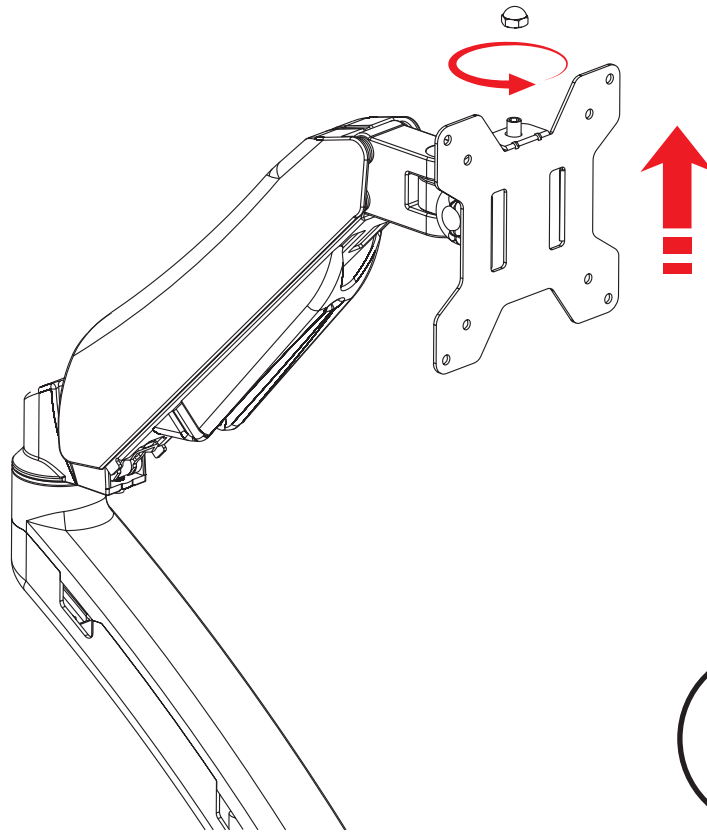


# 1.6

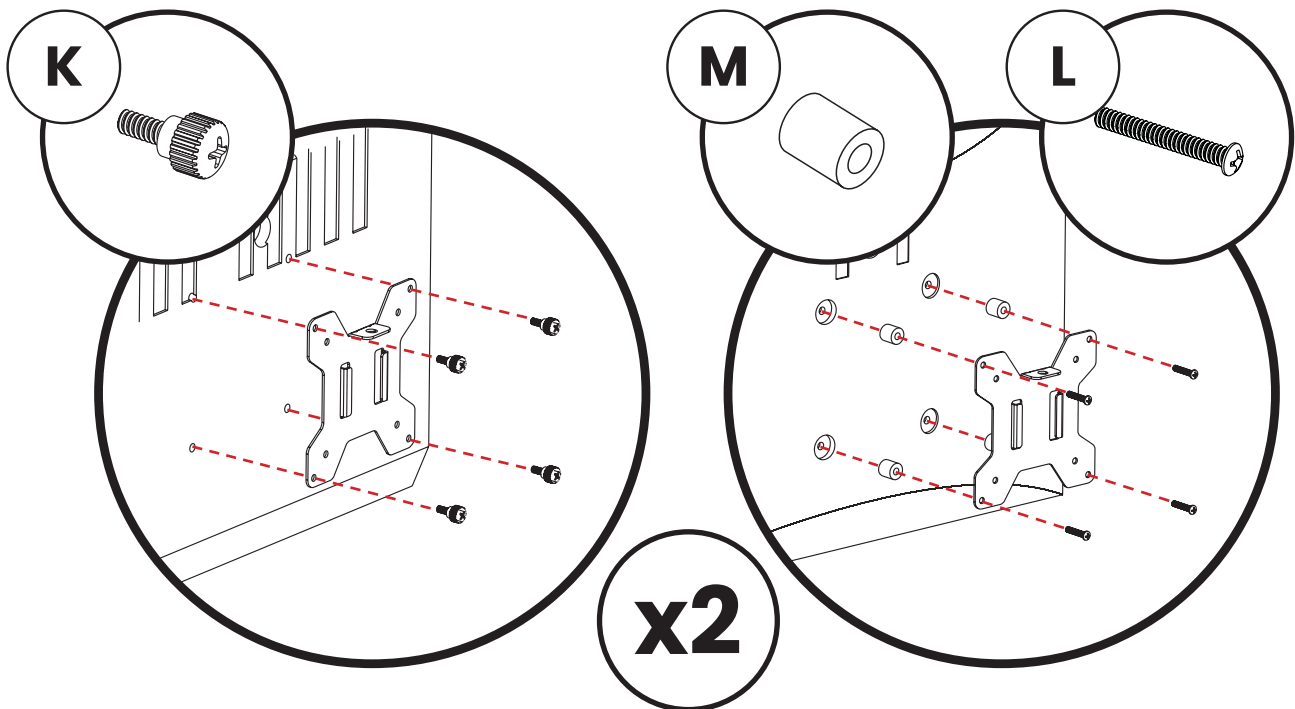


# 2

## 2.1



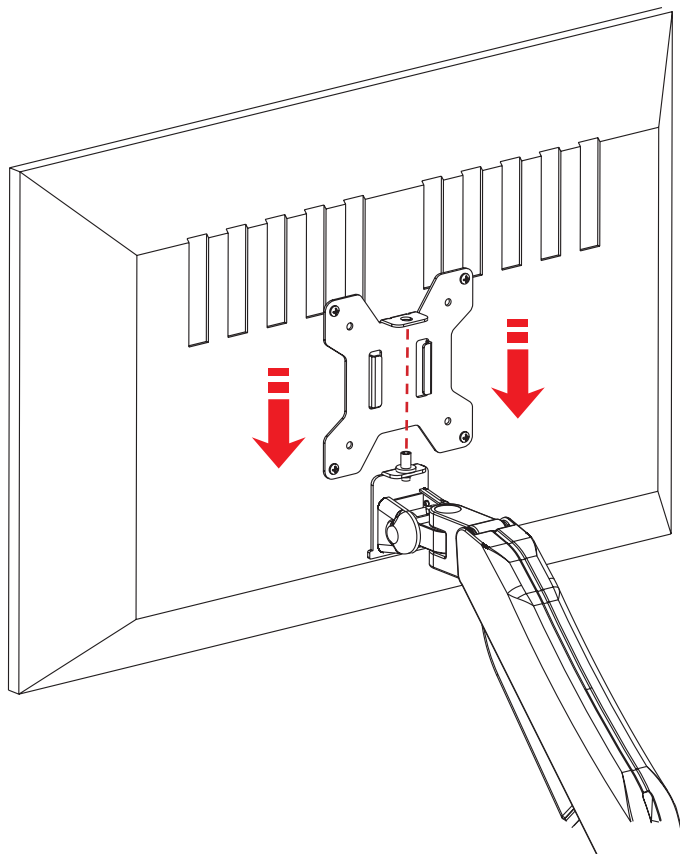
## 2.2



**Flat Back Monitor**

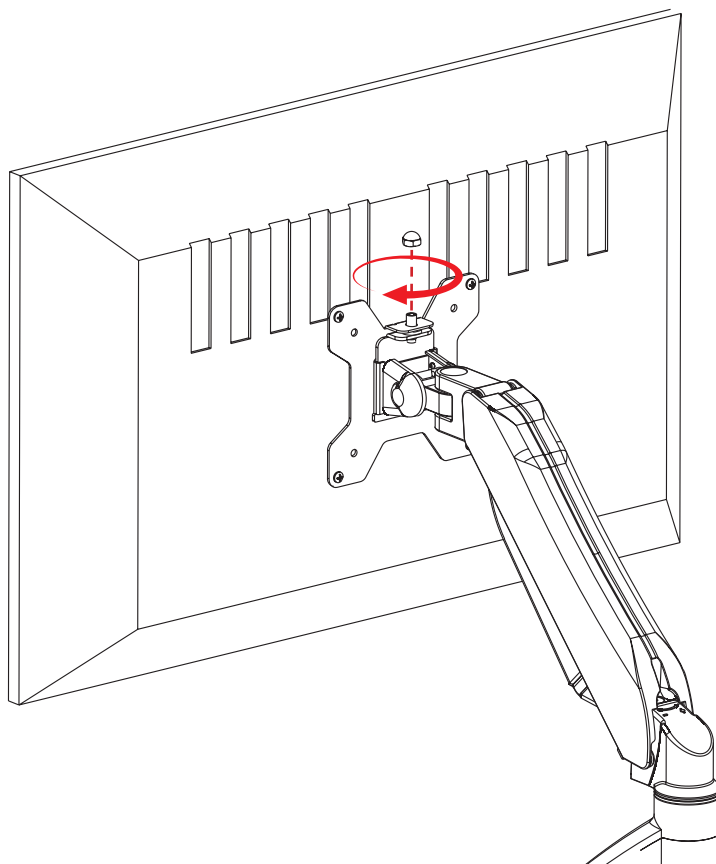
**Curved Or Recessed Back Monitor**

## 2.3



**x2**

## 2.4



**x2**

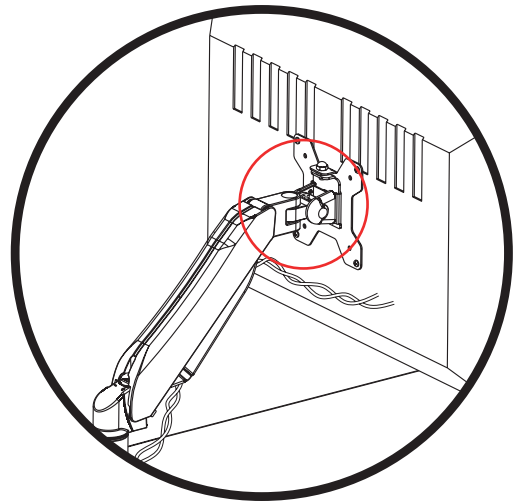
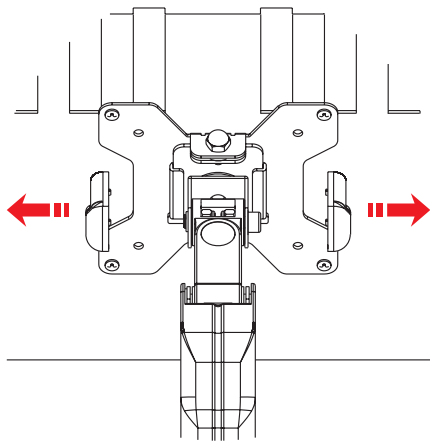
# 3



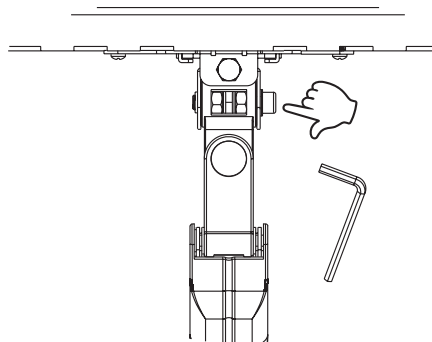
## Adjusting the tilt angle position

If your monitor tilts forward, adjust the tilt angle position by tightening the screw under the plastic caps.

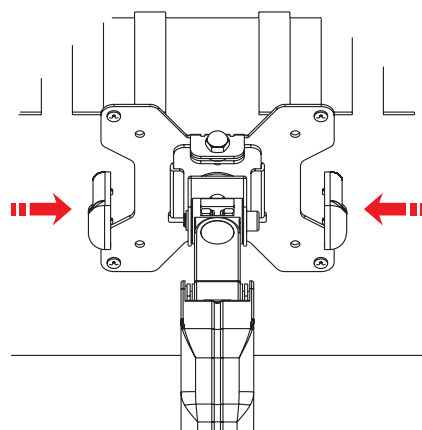
### 3.1



### 3.2



### 3.3





## Adjusting the torque of the gas spring

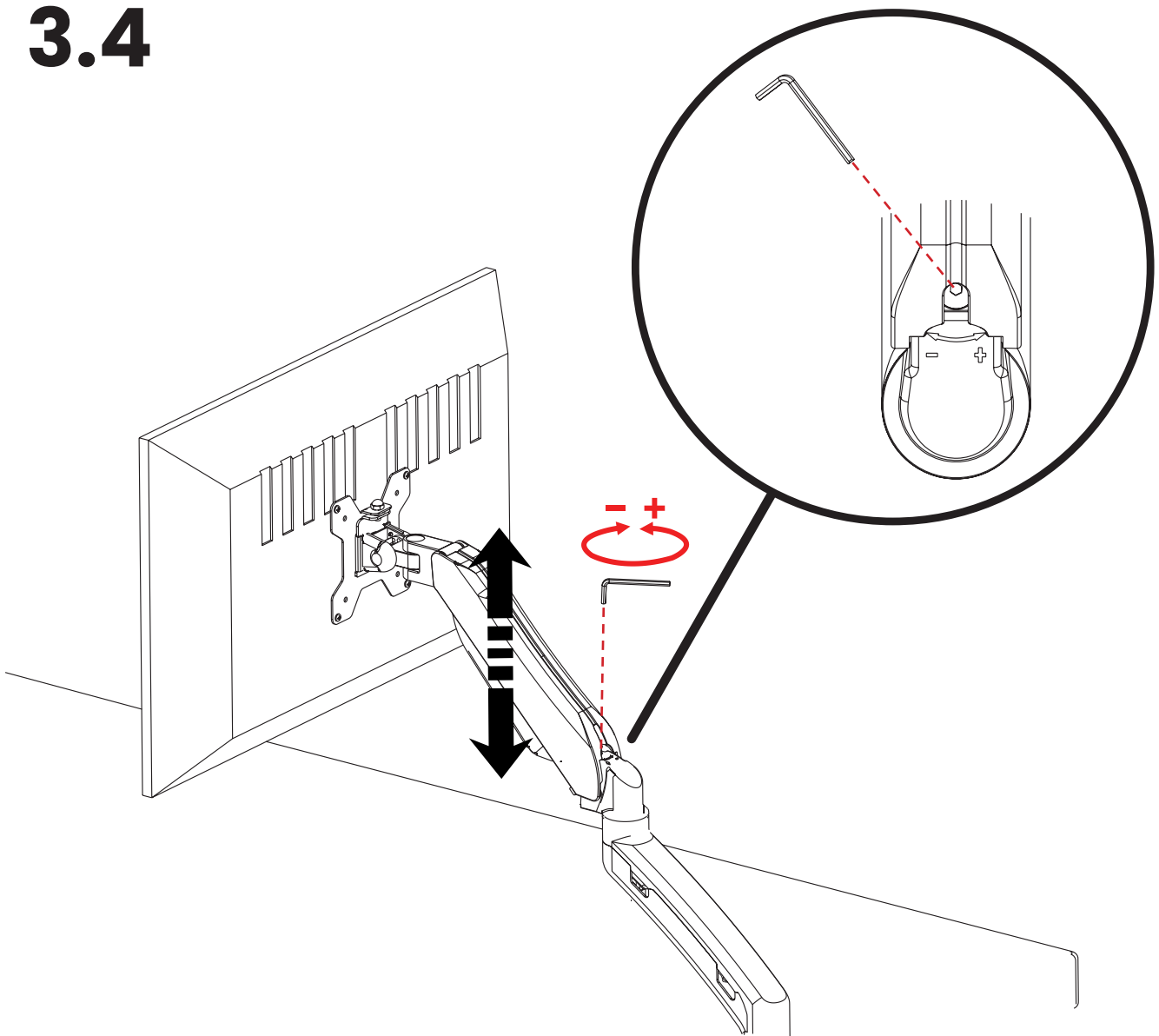
Adjust the torque of the gas spring according to the weight of your monitor.

If your monitor cannot stay in the lower position, turn the screw clockwise (-).

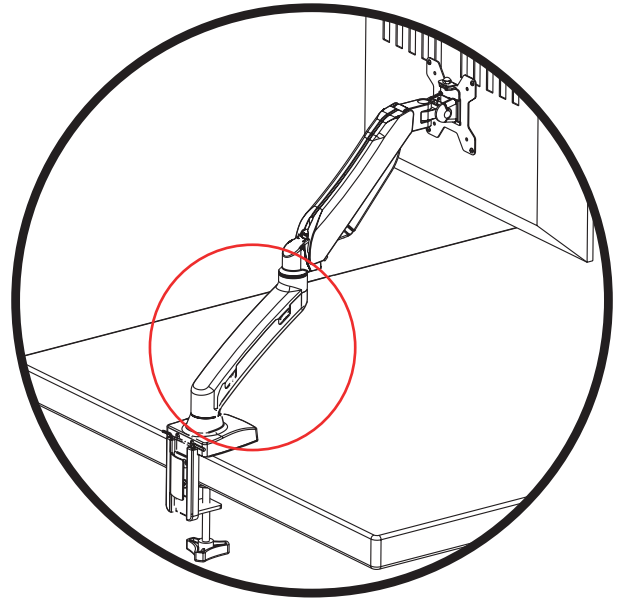
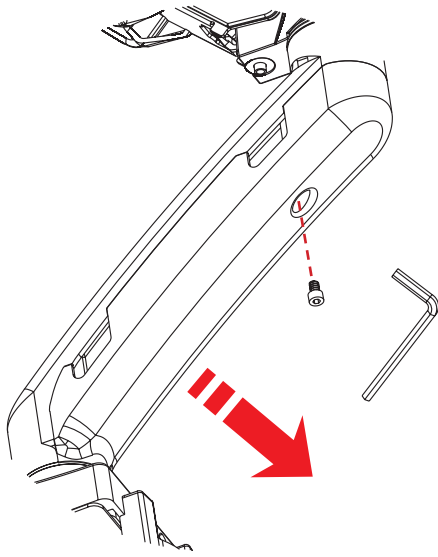
If your monitor cannot stay in the higher position, turn the screw counterclockwise (+).

Keep turning until the monitor can be raised and lowered easily.

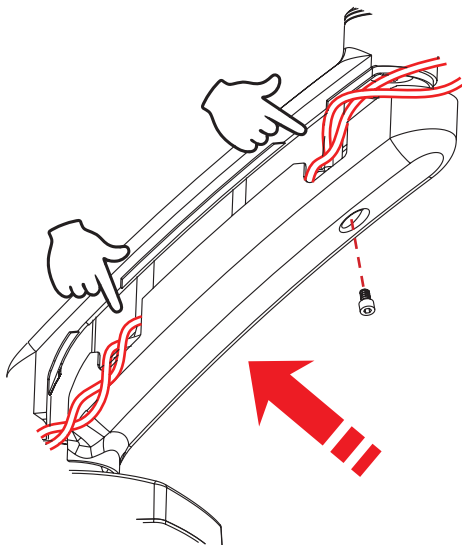
### 3.4



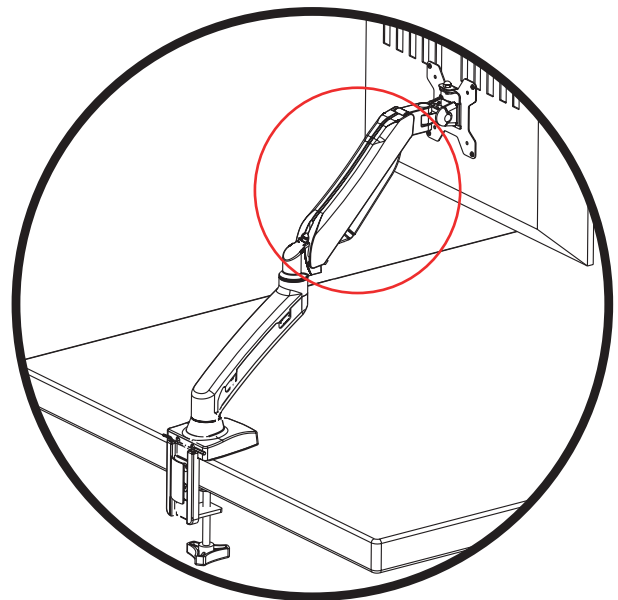
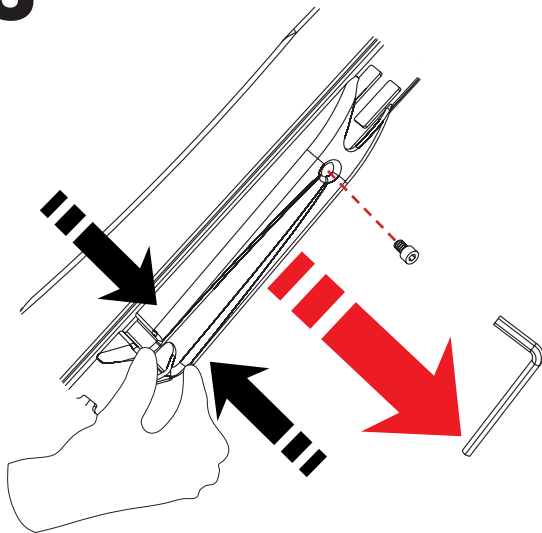
## 4.1



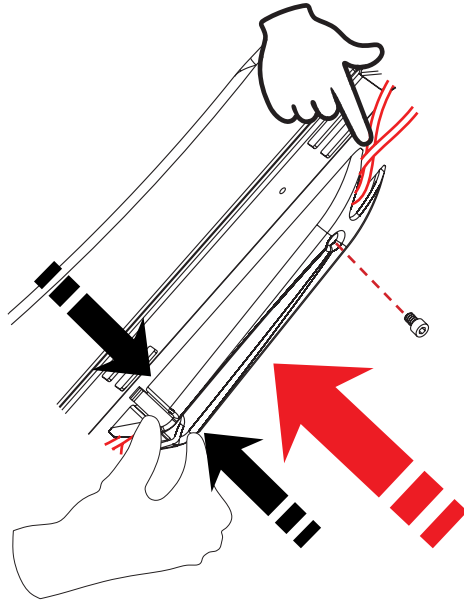
## 4.2



## 4.3



# 4.4



# 4.5

