



INFINITY ARMREST

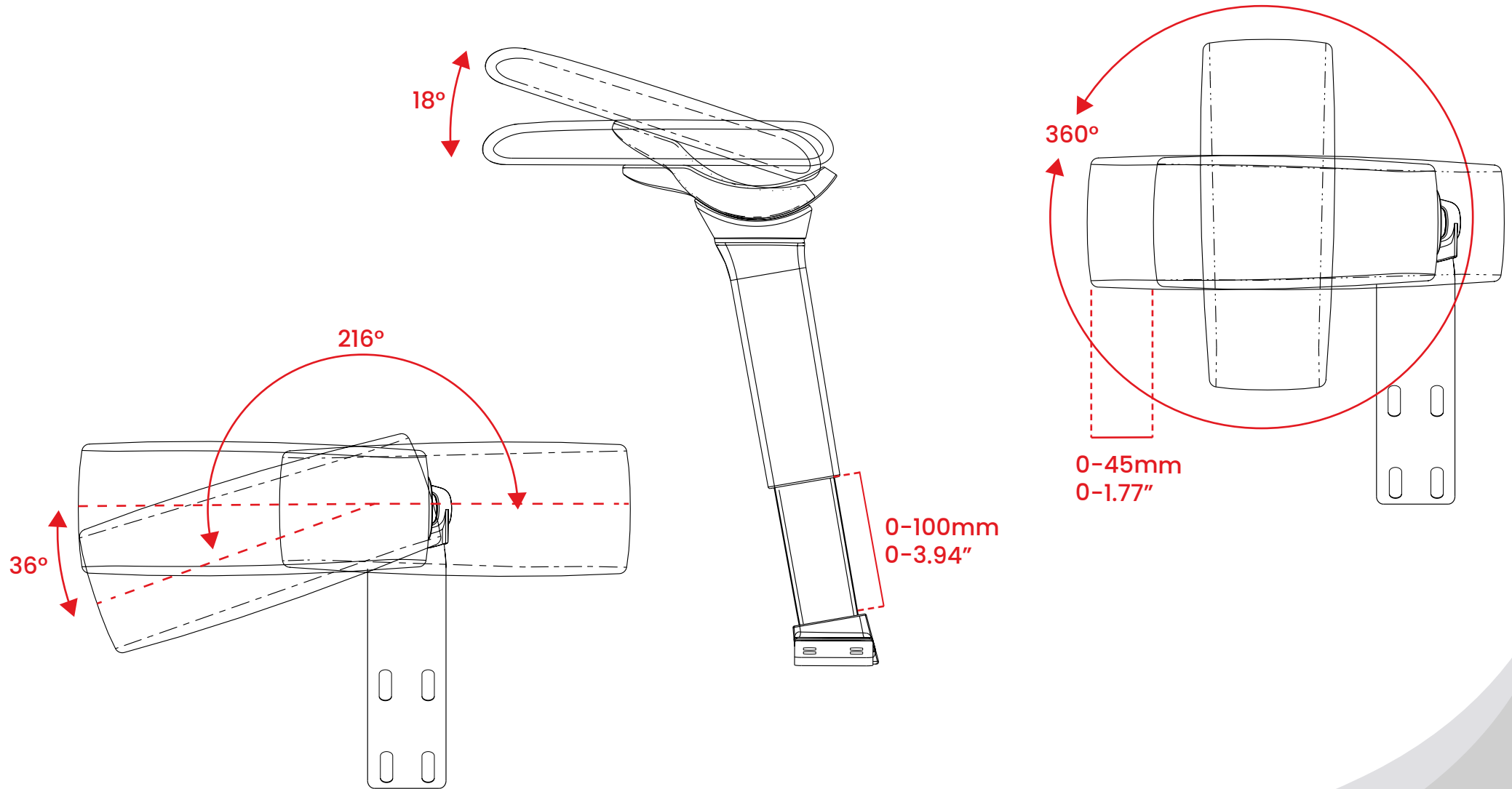
The Infinity armrests can be adjusted into countless positions due to its ability to be moved Up & Down, Forward & Backwards, Inwards & Outwards, Rotated 360°, and tilted into an upward or downward slanting angle. It fits most chair models and is a great upgrade in adjustability.

Adjust the armrests to enhance your working and gaming experience. Rotate them up and in for a more comfortable console or phone gaming session, move them back for extra elbow support, or tilt them down to get closer to your desk.

This package contains two Armrests (left and right side). They are compatible with most chairs that have armrests attached with four screws underneath the seat.



Functionality



Logistics & Specs



Net Weight

3,6kg / 7.94 lbs

Quantity

2 Pieces (Left & right armrest)

Gross Weight

4,2kg / 9.26 lbs

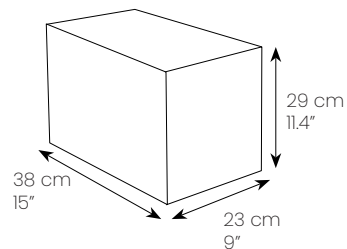
Box Dimension

38 x 29 x 23 cm
15 x 11.4 x 9 inches

SKU/UPC

● AZ-INFINITY-BK.....850054766533

Box Dimension



Compatibility

Compatible with most chairs that uses 4 screws for attaching the armrests. See the sketch on the right for measurements.

